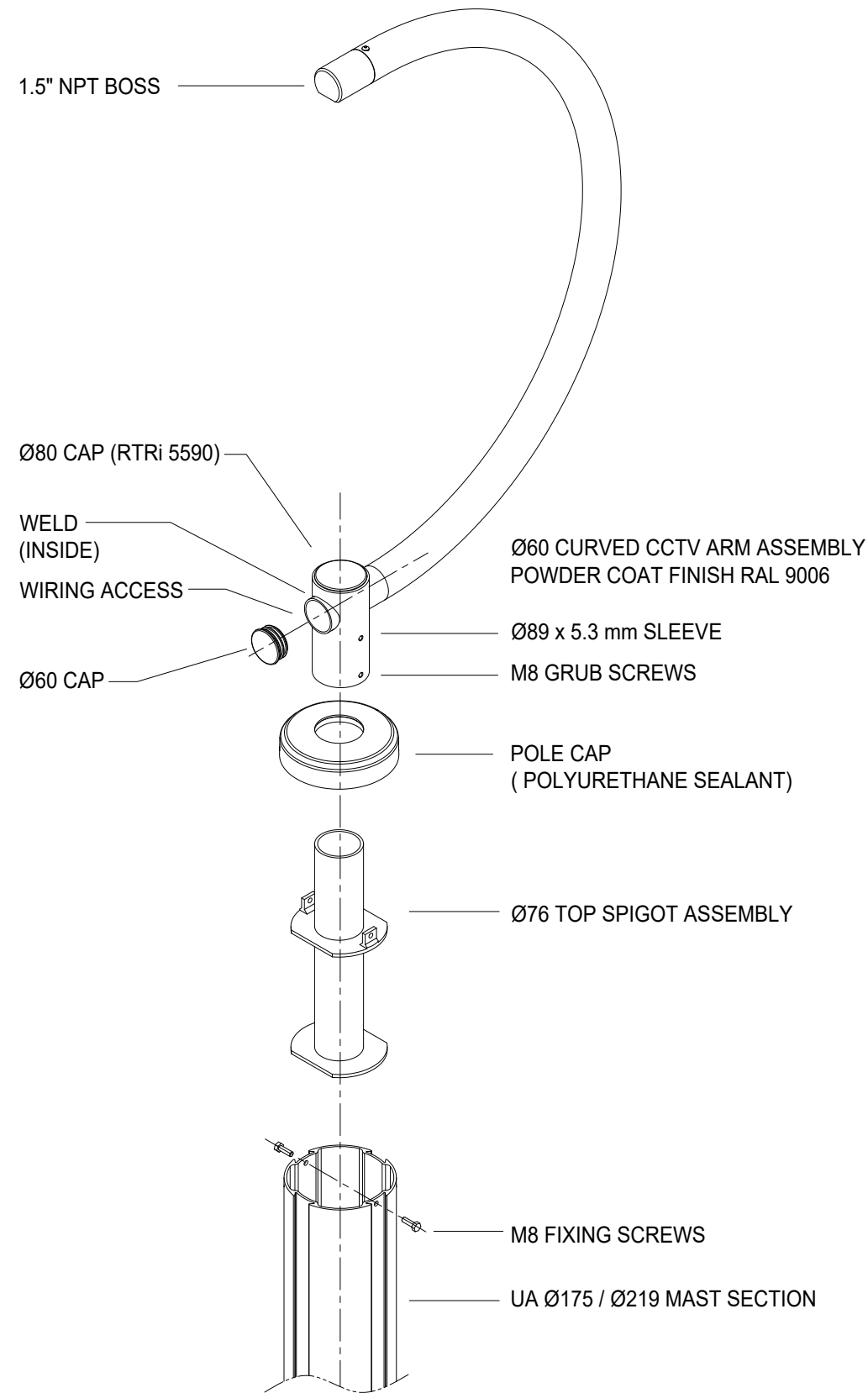
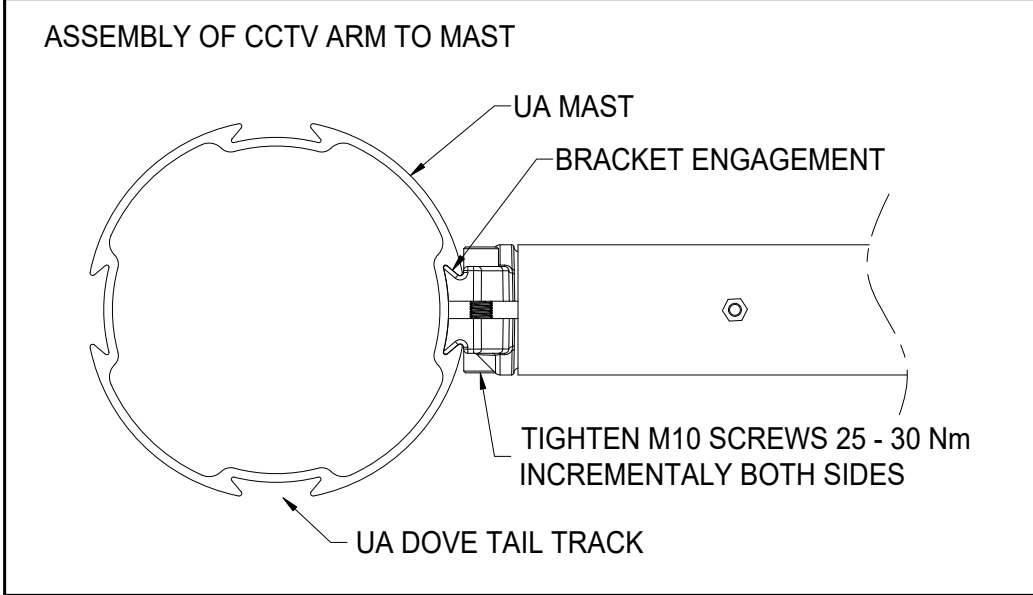


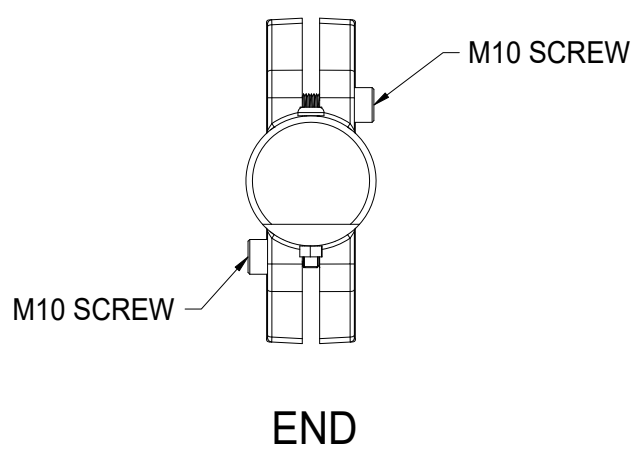
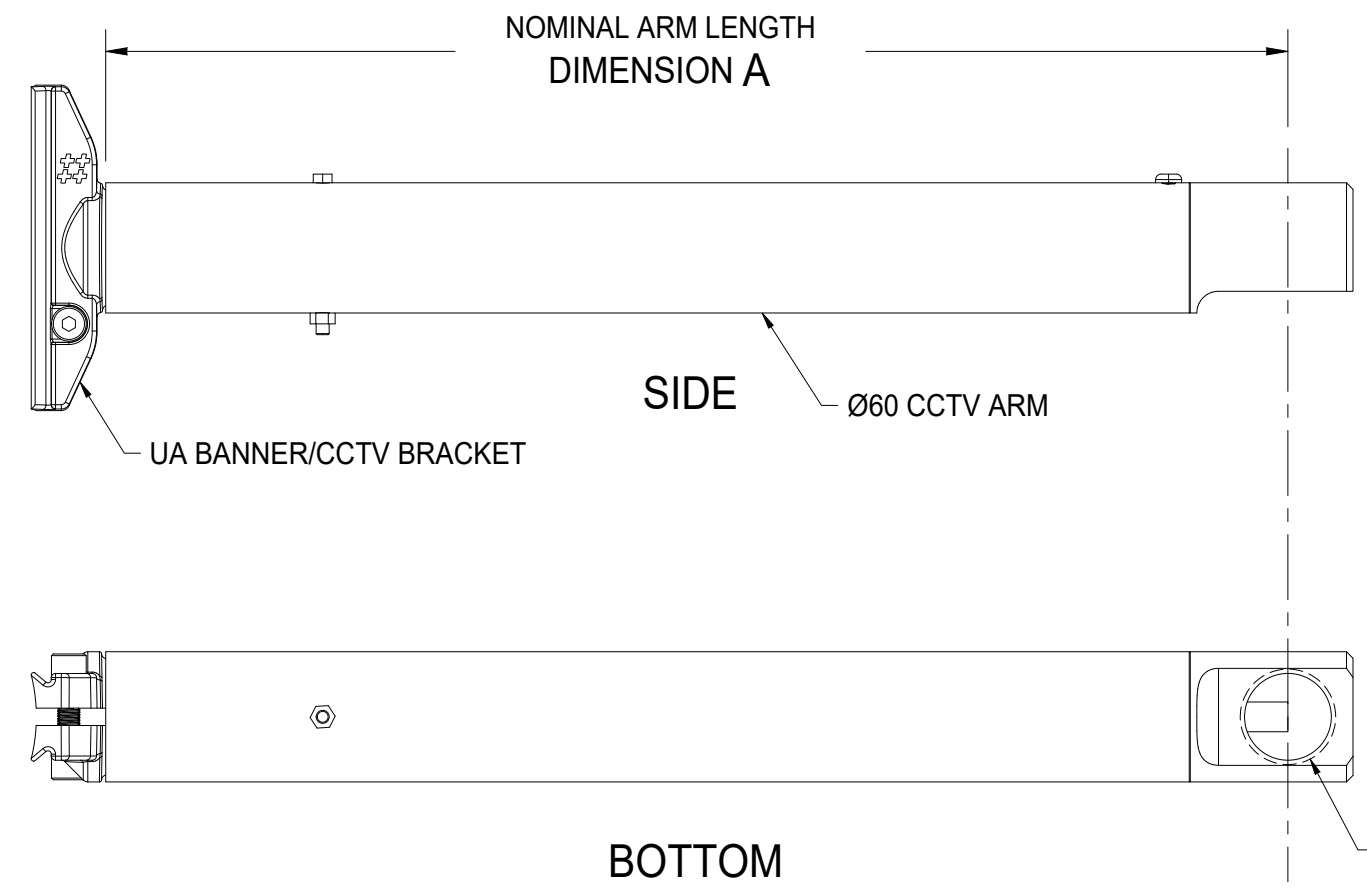
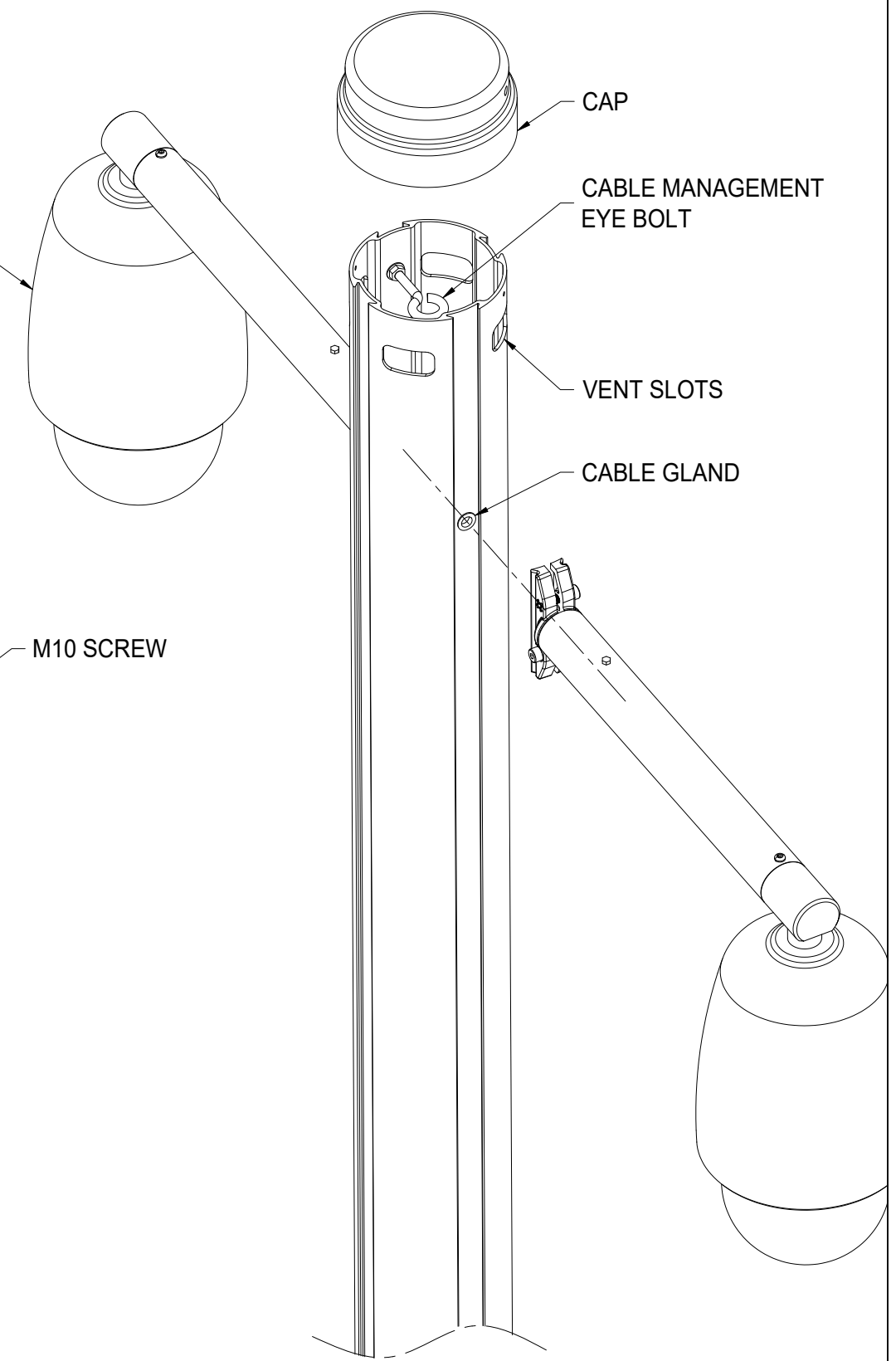
ISSUE	C.O. No.	REVISION	LOCATION	BY	DATE



<p>DO NOT SCALE DRAWING DIMENSIONS IN MILLIMETRES</p> <p>THIRD ANGLE PROJECTION </p> <p>DIMENSION TOLERANCES UNLESS OTHERWISE SPECIFIED</p> <p>2 PLACE DECIMAL 0.00 ± 0.1mm</p> <p>1 PLACE DECIMAL 0.0 ± 0.25mm</p> <p>0 PLACE DECIMAL 0 ± 0.50mm</p> <p>ANGULAR ± 15 MINUTES (0.25°)</p>	<p>DRAWN BY AC</p>	<p>DATE 14/12/22</p>	<p>DOCUMENT No.</p>	<p>UrbanAluminium™ FUTURE SMART </p> <p>TITLE CURVED CCTV ARM 2023</p>	
	<p>CHECKED BY</p>	<p>DATE</p>	<p>DISC FILE No.</p>		
	<p>APPROVED BY</p>	<p>DATE</p>	<p>SCALE</p>		
	<p>QUALITY APPROVED BY</p>	<p>DATE</p>	<p>ISSUE</p>		
<p>SHEET</p>	<p>Urban Aluminium Pty Ltd www.urban-al.com.au info@urban-al.com.au</p>	<p>Unit 30, 1 Talavera Road Macquarie Park NSW 2113 AUSTRALIA Tel. +612 8921 5400</p>	<p>DATE RELEASED</p>	<p>PROJECT MULTI-FUNCTION POLES</p>	<p>DRAWING No. UA-0985</p>
			<p>ITEM No.</p>	<p>PART No.</p>	<p>SHEET No.</p>



CCTV CAMERA AND NPT ADAPTER
by others



DO NOT SCALE DRAWING DIMENSIONS IN MILLIMETRES THIRD ANGLE PROJECTION DIMENSION TOLERANCES UNLESS OTHERWISE SPECIFIED 2 PLACE DECIMAL 0.00 ± 0.1mm 1 PLACE DECIMAL 0.0 ± 0.25mm 0 PLACE DECIMAL 0 ± 0.50mm ANGULAR ± 15 MINUTES (0.25°)	DRAWN BY AC	DATE 14/02/22	DOCUMENT No.
	CHECKED BY	DATE	DISC FILE No.
	APPROVED BY	DATE	SCALE
	QUALITY APPROVED BY	DATE	ISSUE
SHEET	Urban Aluminium Pty Ltd www.urban-al.com.au info@urban-al.com.au	Unit 30, 1 Talavera Road Macquarie Park NSW 2113 AUSTRALIA Tel. +612 8921 5400	DATE RELEASED ITEM No.

TITLE CCTV ARM ASSEMBLY 60	
PROJECT MULTI-FUNCTION POLES	DRAWING No. UA-0766
PART No.	SHEET No.