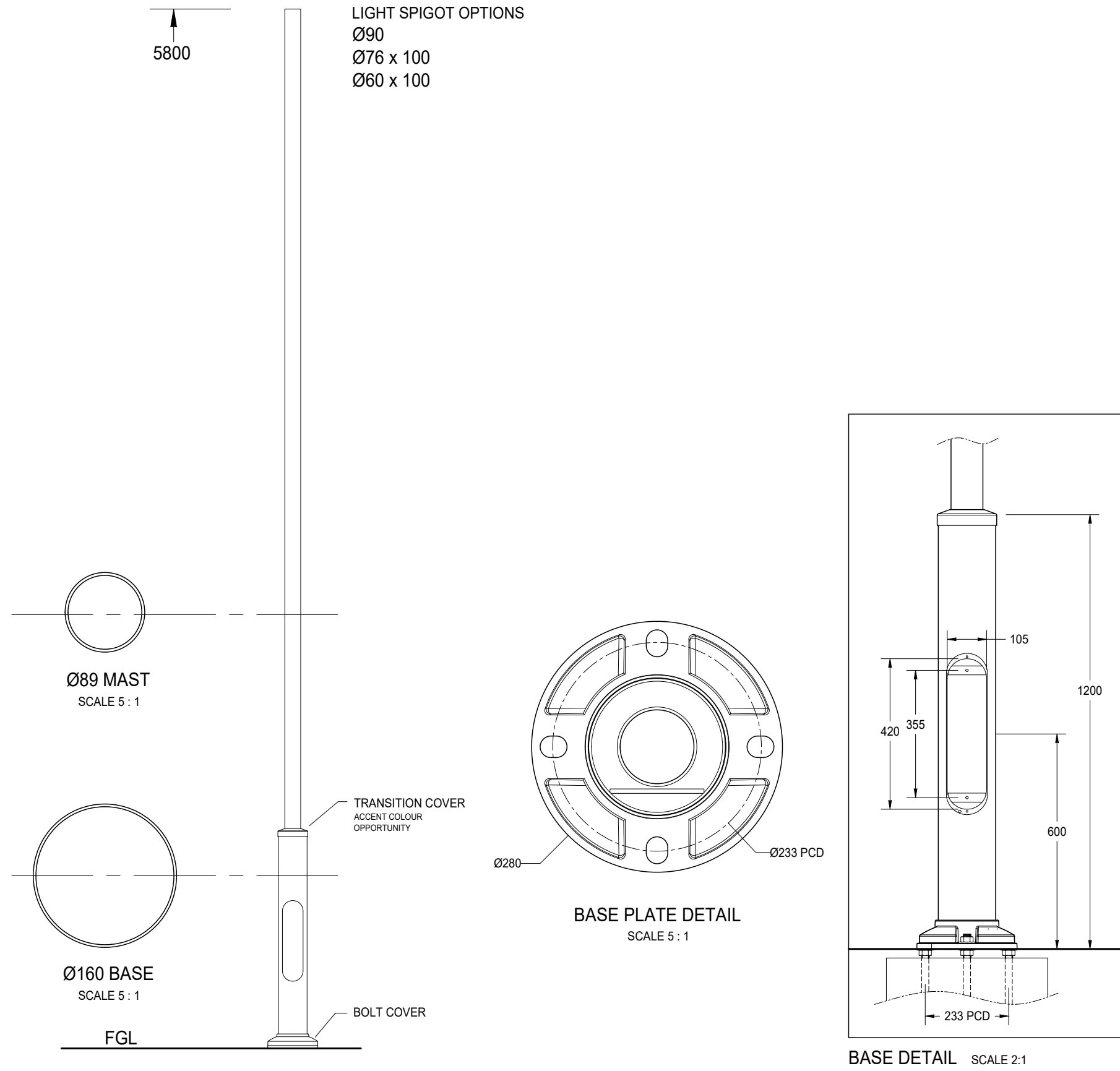
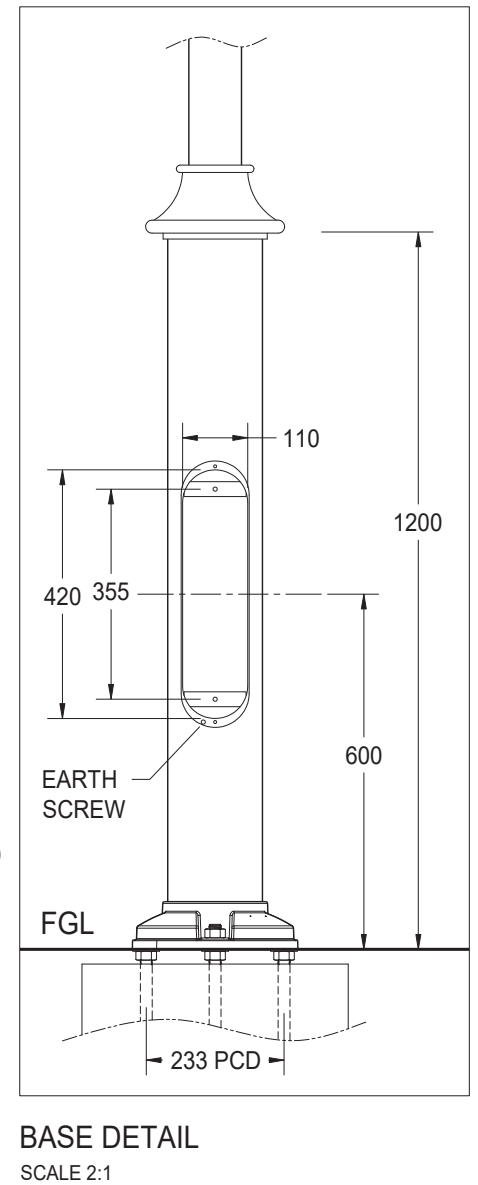
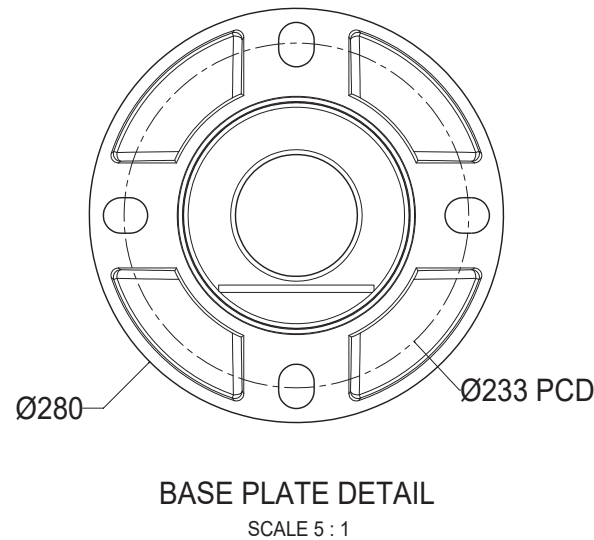
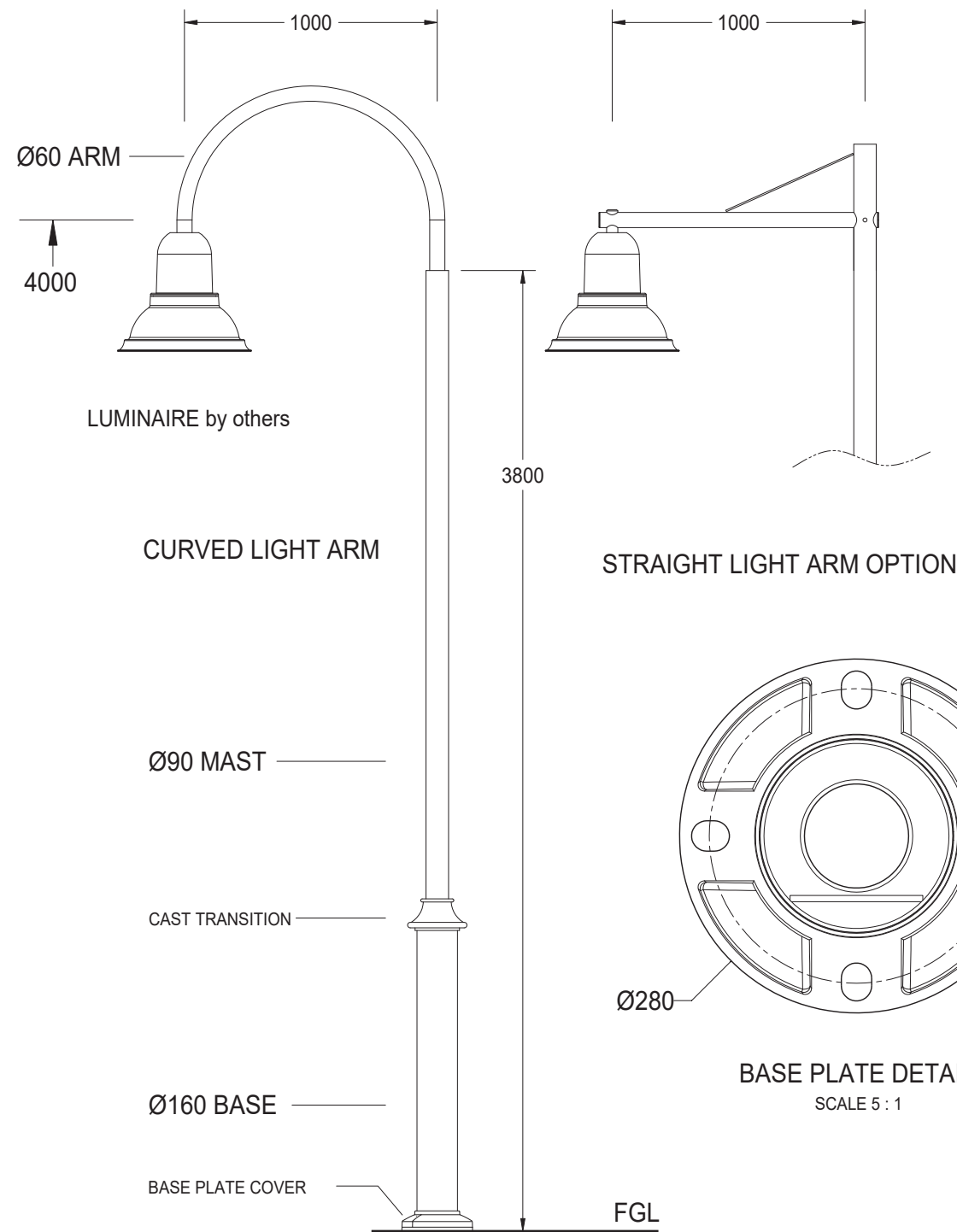
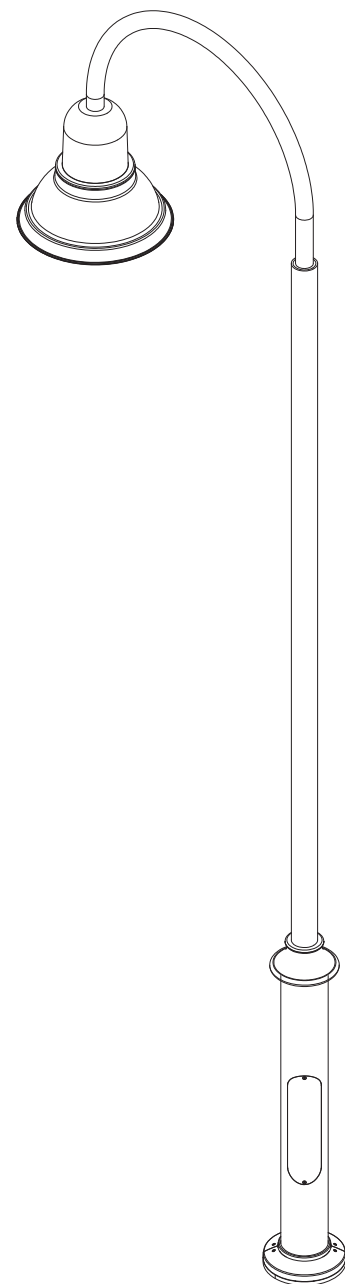


ISSUE	C.O. No.	REVISION	LOCATION	BY	DATE



<p>Foundation bolts M20 @ 233 PCD</p> <p>NOTE All poles manufactured in accordance with relevant standards [AUS/NZ 1158]</p> <p>Pole footings to be engineered by others to suit local environmental and ground conditions.</p>	<p>NOTE</p> <p>Finish Options POWDER COAT PAINT</p> <p>IP 65 rated electrical enclosures to be used for electrical connections. All buried components to be coated with DUREBILD STE 150 microns</p>	<p>DO NOT SCALE DRAWING DIMENSIONS IN MILLIMETRES</p> <p>THIRD ANGLE PROJECTION</p> <p>DIMENSION TOLERANCES UNLESS OTHERWISE SPECIFIED</p> <p>2 PLACE DECIMAL 0.00 ± 0.1mm 1 PLACE DECIMAL 0.0 ± 0.25mm 0 PLACE DECIMAL 0 ± 0.50mm ANGULAR ± 15 MINUTES (0.25°)</p>	<p>DRAWN BY AC</p> <p>DATE 10/05/21</p> <p>CHECKED BY</p> <p>DATE</p> <p>APPROVED BY</p> <p>DATE</p> <p>QUALITY APPROVED BY</p> <p>DATE</p>	<p>DOCUMENT No.</p> <p>DISC FILE No.</p> <p>SCALE</p> <p>ISSUE</p>
		<p>SHEET</p> <p>Urban Aluminium Pty Ltd www.urban-al.com.au info@urban-al.com.au</p>	<p>Unit 10, 7 Gundah Rd, Mt Kuring-Gai NSW 2080 AUSTRALIA Tel. +612 8921 5400</p>	<p>DATE RELEASED</p> <p>ITEM No.</p>
<p>COPYRIGHT URBAN ALUMINIUM 2021</p>		<p>PROJECT STEM POLES</p>		<p>DRAWING No. UA-0560</p>
		<p>PART No.</p>		<p>SHEET No.</p>



**Foundation bolts
M20 @ 233 PCD**

NOTE
All poles manufactured in accordance with relevant standards (AUS/NZ 1158). Pole footings to be engineered by others to suit local environmental and ground conditions.

NOTE
Finish = POWDER COAT

IP 65 rated electrical enclosures to be used for electrical connections. All buried components to be coated with **DUREBILD STE** 150 microns

DO NOT SCALE DRAWING DIMENSIONS IN MILLIMETRES
THIRD ANGLE PROJECTION
DIMENSION TOLERANCES UNLESS OTHERWISE SPECIFIED
2 PLACE DECIMAL 0.00 ± 0.1mm
1 PLACE DECIMAL 0.0 ± 0.25mm
0 PLACE DECIMAL 0 ± 0.50mm
ANGULAR ± 15 MINUTES (0.25°)

SHEET
Urban Aluminium Pty Ltd
www.urban-al.com.au
info@urban-al.com.au

DRAWN BY AC DATE 18/02/21
CHECKED BY DATE
APPROVED BY DATE
QUALITY APPROVED BY DATE
Unit 10, 7 Gundah Rd, Mt Kuring-Gai
NSW 2080 AUSTRALIA
Tel. +612 8921 5400

DOCUMENT No.
DISC FILE No.
SCALE
ISSUE **A**
DATE RELEASED
ITEM No.

UrbanAluminium™
FUTURE SMART



TITLE STEM STEPPED - HERITAGE 4000	
PROJECT STEM POLES	DRAWING No. UA-0525
PART No.	SHEET No.