

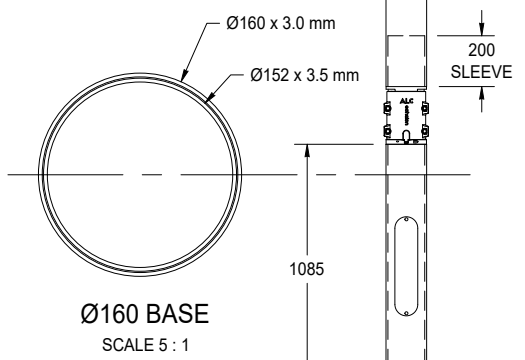
ISSUE	C.O. No.	REVISION	LOCATION	BY	DATE



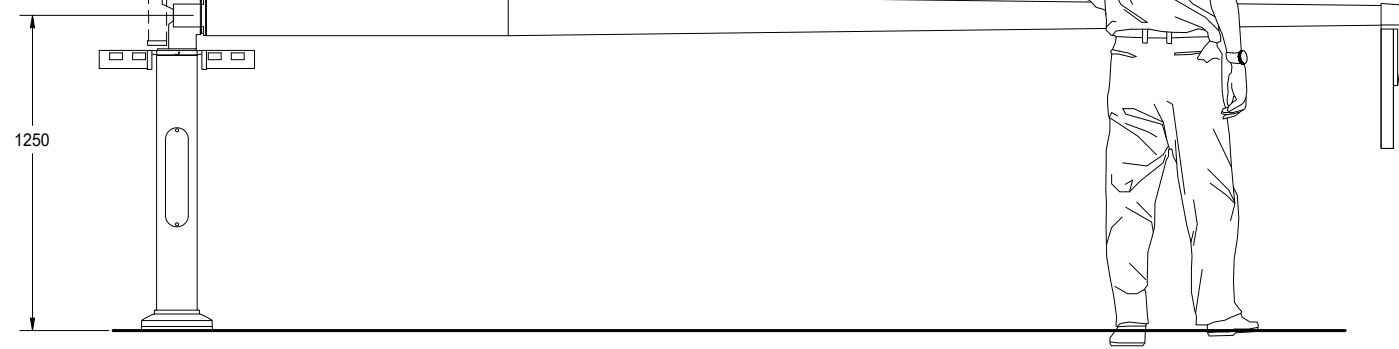
6000
HEIGHT OPTION
5000

LIGHT SPIGOT SIZE = Ø76
TYPICAL LUMINAIRE
MASS = 6.6 kg

UPPER MAST
6 m POLE MASS = 16 kg
5 m POLE MASS = 12 kg



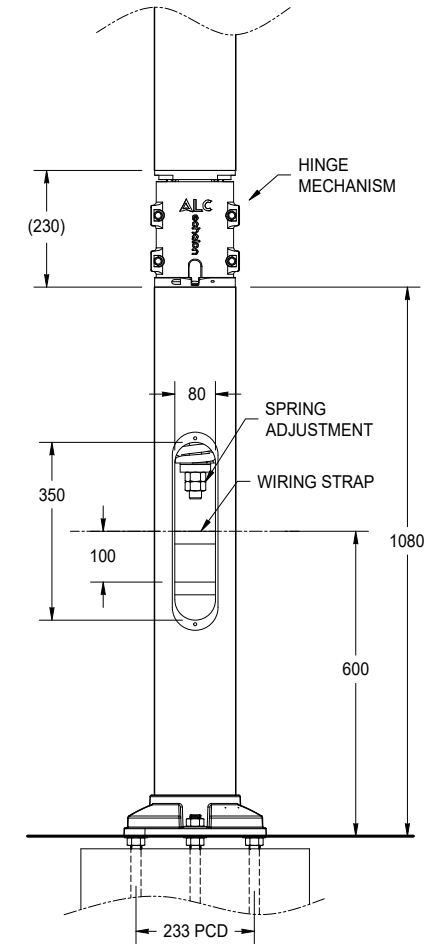
2500 PARALLEL
LOCKING COVER



MATERIAL = ALUMINIUM 6063 T6



ECHALON HINGE DETAIL



BASE DETAIL SCALE 2:1

ECHALON HINGE MECHANISM IS A PROPRIETARY PRODUCT FROM ALUMINIUM LIGHTING Co Ltd AUSTRALIAN PATENT AU2014259255B2

COPYRIGHT URBAN ALUMINIUM 2022

Foundation bolts M20 @ 233 PCD

NOTE
All poles manufactured in accordance with relevant standards (AUS/NZ 1158)

Pole footings to be engineered by others to suit local environmental and ground conditions.

NOTE

Finish Options
BRUSHED + CLEAR ANODISED
POWDER COAT PAINT

IP 65 rated electrical enclosures to be used for electrical connections. All buried components to be coated with DUREBILD STE 150 microns

DO NOT SCALE DRAWING DIMENSIONS IN MILLIMETRES

THIRD ANGLE PROJECTION	DRAWN BY AC	DATE 12/12/22	DOCUMENT No.
DIMENSION TOLERANCES UNLESS OTHERWISE SPECIFIED 2 PLACE DECIMAL 0.00 ± 0.1mm 1 PLACE DECIMAL 0.0 ± 0.25mm 0 PLACE DECIMAL 0 ± 0.50mm ANGULAR ± 15 MINUTES (0.25°)	CHECKED BY	DATE	DISC FILE No.
	APPROVED BY	DATE	SCALE
	QUALITY APPROVED BY	DATE	ISSUE

SHEET

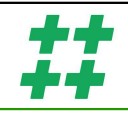
Urban Aluminium Pty Ltd
www.urban-al.com.au
info@urban-al.com.au

Unit 30, 1 Talavera Road,
Macquarie Park NSW 2113
AUSTRALIA

DATE RELEASED

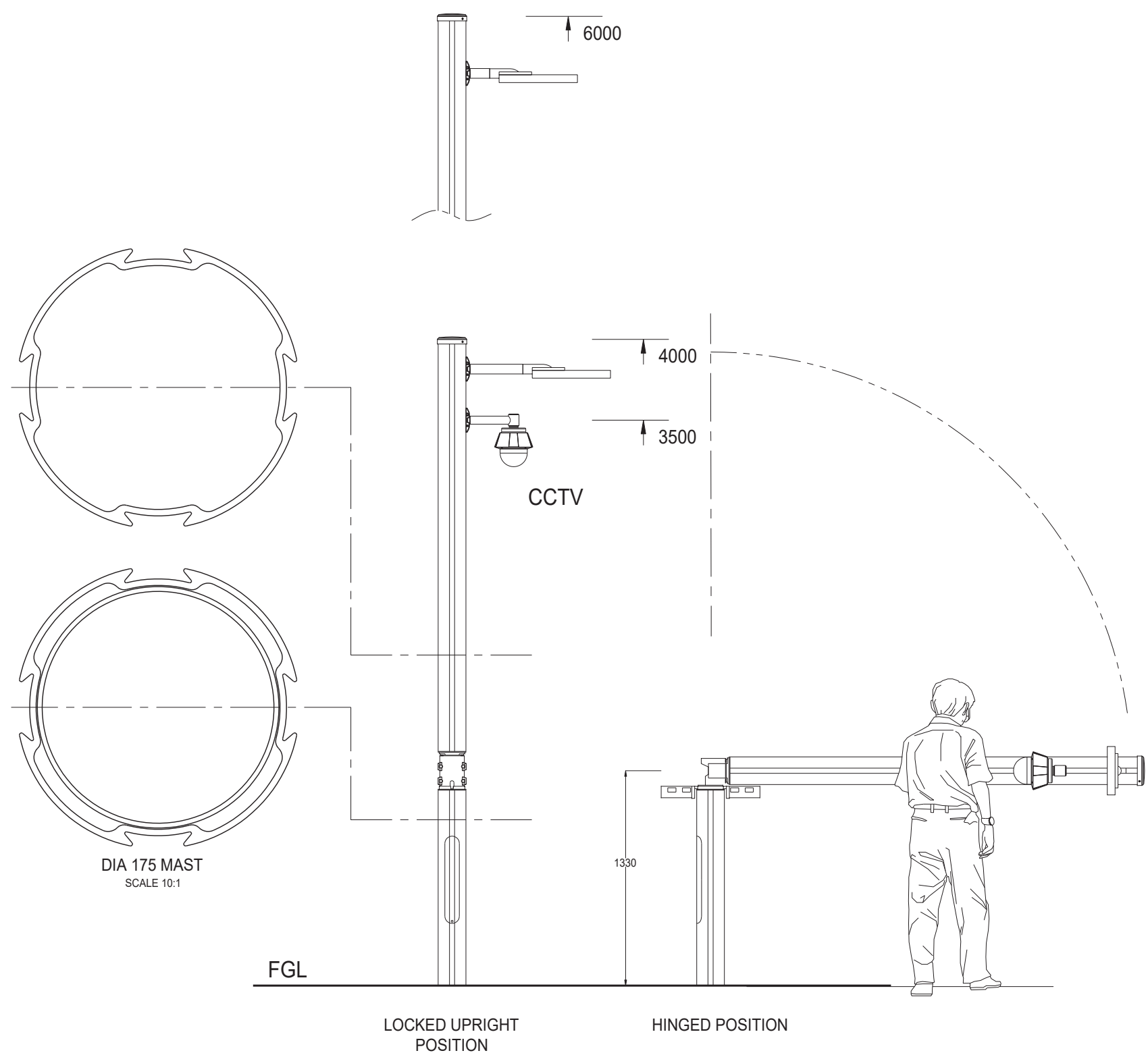
ITEM No.

UrbanAluminium™
FUTURE SMART

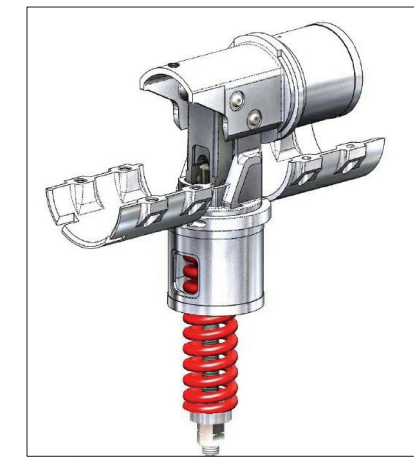
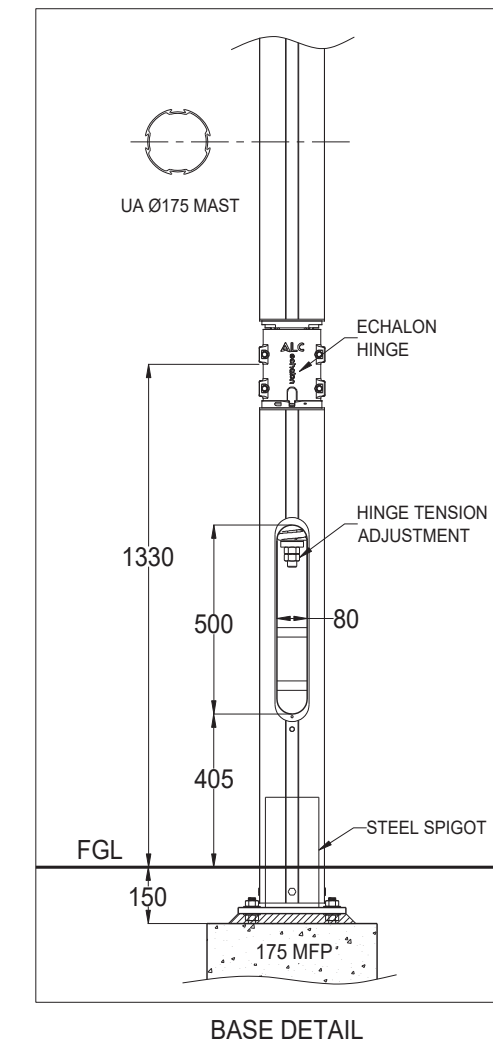


TITLE STEM TAPER ECHALON HINGE	
PROJECT STEM POLES	DRAWING No. UA-0978
PART No.	SHEET No.

ISSUE	C.D. No.	REVISION	LOCATION	BY	DATE
A		DEFLECTION CALCULATIONS			19.6.20



DEFLECTION PROPERTIES @ 100 kph WIND SPEED
 Less than 0.20% Deflection
 Less than 0.16° Rotation (@ 3500 mm)



ECHALON HINGE DETAIL



**Foundation Bolts
M20 @ 300 PCD**

NOTE
 All poles manufactured in accordance with relevant standards

Soil testing, footing design and certification services available on request.

NOTE
 All extruded Aluminium components to be clear anodized 20-23Um

IP 65 rated electrical enclosures to be used for electrical connections.

All buried components to be coated with **DUREBILD STE** 150 microns

DO NOT SCALE DRAWING DIMENSIONS IN MILLIMETRES	
THIRD ANGLE PROJECTION	
DIMENSION TOLERANCES UNLESS OTHERWISE SPECIFIED	
2 PLACE DECIMAL	0.00 ± 0.1mm
1 PLACE DECIMAL	0.0 ± 0.25mm
0 PLACE DECIMAL	0 ± 0.50mm
ANGULAR	± 15 MINUTES (0.25°)

SHEET	Urban Aluminium Pty Ltd www.urban-al.com.au info@urban-al.com.au	Unit 10, 7 Gundah Rd, Mt Kuring-Gai NSW 2080 AUSTRALIA Tel. +612 8921 5400	DRAWN BY AC	DATE 2.6.20	DOCUMENT No.
	CHECKED BY		DATE	DISC FILE No.	
	APPROVED BY	DATE	SCALE		
	QUALITY APPROVED BY	DATE	ISSUE	A	
			DATE RELEASED		
			ITEM No.		

UrbanAluminium™
 FUTURE SMART

TITLE
175 MFP HINGE CCTV

PROJECT MULTI-FUNCTION POLES	DRAWING No. UA-0343
PART No.	SHEET No.